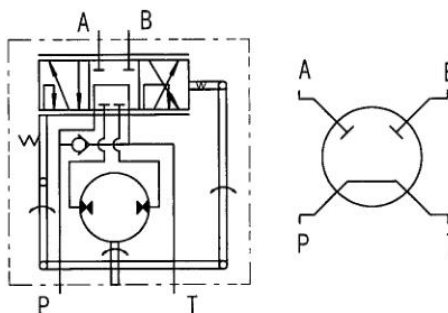




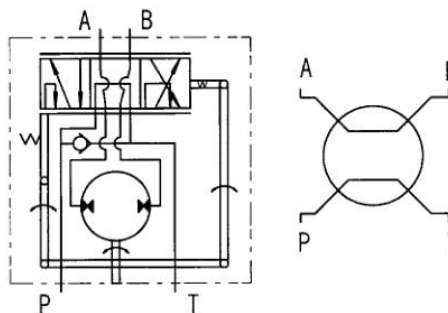
BZZ1、BZZ2、BZZ3 系列全液压转向器
BZZ1, BZZ2, BZZ3 Series Hydraulic Steering Control Units (SCU)

功能符号 Function Code

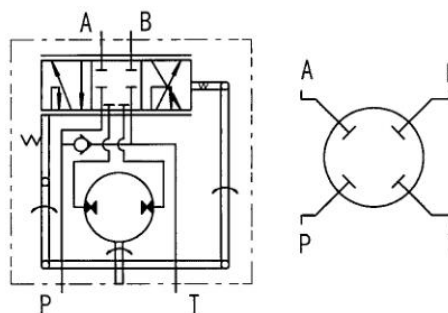
BZZ1
开芯无反应型
Open center non-reaction



BZZ2
开芯有反应型
Open center reaction



BZZ3
闭芯无反应型
Closed center non-reaction





BZZ1、BZZ2、BZZ3 系列全液压转向器
BZZ1, BZZ2, BZZ3 Series Hydraulic Steering Control Units (SCU)

主要技术参数 Main Specification

型号 Type	排量 Displacement (mL/r)	流量 Flow (L/min)	最大入口压力 Max.input pressure (MPa)	最大连续背压 Max. cont. back pressure (MPa)	重量 Weight (kg)
BZZ□-E50 *	50	4	16	2.5	4.72
BZZ□-E63 *	63	5			4.85
BZZ□-E80 *	80	6			5.00
BZZ□-E100 *	100	7.5			5.27
BZZ□-E125 *	125	9.5			5.43
BZZ□-E160 *	160	12			5.75
BZZ□-E200 *	200	15			6.08
BZZ□-E250 *	250	19			6.48
BZZ□-E280 *	280	21			6.78
BZZ□-E315 *	315	24			7.13
BZZ□-E400 *	400	30			7.78
BZZ□-E500 *	500	38			8.67
BZZ□-E630 *	630	48			9.72
BZZ□-E800 *	800	60			11.18
BZZ□-E1000 *	1000	75			12.80

注1: □为功能符号; 其中BZZ2型转向器有50~200ml/r可供选择, BZZ1型和BZZ3型转向器有50~1000ml/r可供选择。

Note 1: □ represents Function Code, BZZ2 can be chosen for SCU with the displacement of 50-200mL/r. BZZ1 or BZZ3 can be chosen for SCU with the displacement of 50-1000mL/r.

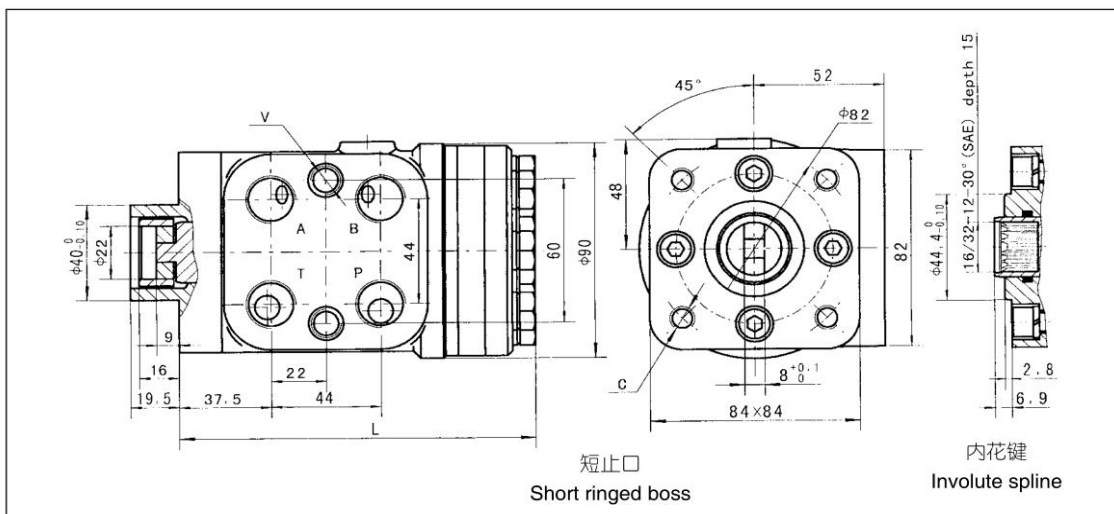
注2: “流量”是方向盘转速为60r/min的1.25倍时的流量, 当系统设计不满足上述条件, 允许适量调整。

Note 2: “Flow” that we suggest to use is the flow of 1.25 times as much as that at the steering wheel’s rotation speed of 60 r/min. If the design of the system can't meet the requirements, the flow is allowed to be adjusted a little bit.



BZZ1、BZZ2、BZZ3 系列全液压转向器
BZZ1, BZZ2, BZZ3 Series Hydraulic Steering Control Units (SCU)

连接尺寸 Mounting Data



注1: 图示短止口联接形式, 长止口联接形式分别将图示 9、16 和 19.5 变为 18、25 和 30.5;

Note1: Above is for short ringed boss connection dimension. When dimension is 18, 25, 30.5, instead of 9,16,19.5 long ringed boss connection is available for reference above.

注2: 油口尺寸标识选择符合P4“油口代码”。

Note 2: please check Page 4 for the port code .

型号 Type	长度 Length L (mm)
BZZ □-E50 *	140
BZZ □-E63 *	141
BZZ □-E80 *	142.5
BZZ □-E100 *	145
BZZ □-E125 *	148
BZZ □-E160 *	153
BZZ □-E200 *	158
BZZ □-E250 *	164
BZZ □-E280 *	169
BZZ □-E315 *	174
BZZ □-E400 *	184
BZZ □-E500 *	197
BZZ □-E630 *	216
BZZ □-E800 *	236
BZZ □-E1000 *	262

注1: □为功能符号; BZZ2型转向器有50~200ml/r可供选择, BZZ1型和BZZ3型转向器有50~1000ml/r可供选择。

Note 1: □ represents Function Code, BZZ2 can be chosen for SCU with the displacement of 50-200mL/r . BZZ1 or BZZ3 can be chosen for SCU with the displacement of 50-1000mL/r.